

Attn : _____

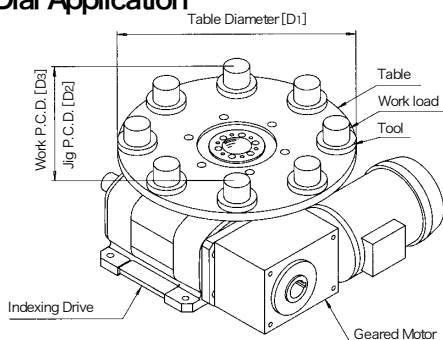
SANDEX- α series Model Selection data

Company			
Department			
Name			
Phone		Fax	

Sankyo will select a model based on your loads and requirements.
Fill this page in and fax it to us.

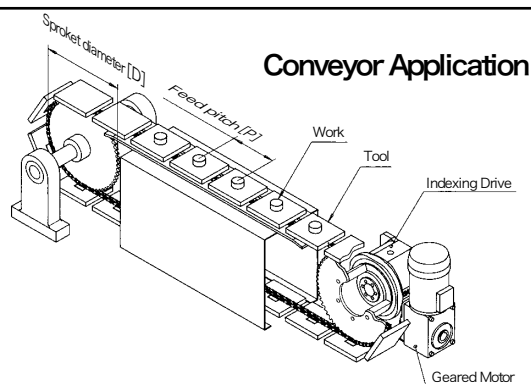
● Number of stops..... S
 ● Working time..... t_1 sec
 ● Index time..... t_2 sec

Index Dial Application



● Table diameter..... D1 mm
 ● Table weight..... M1 kg
 ● Jig P.C.D..... D2 mm
 ● Weight per tool..... M2 kg
 ● Number of tool..... n_2
 ● Work P.C.D..... D3 mm
 ● Weight per work..... M3 kg
 ● Number of work..... n_3

● Feed pitch..... P mm
 ● Weight of chain with attachment... M1 kg
 ● Weight of tool..... M2 kg
 ● Weight of work..... M3 kg
 ● Sprocket diameter..... D mm
 ● Weight per sprocket..... M4 kg
 ● Number of sprocket..... n_4
 ● Coefficient of friction..... μ

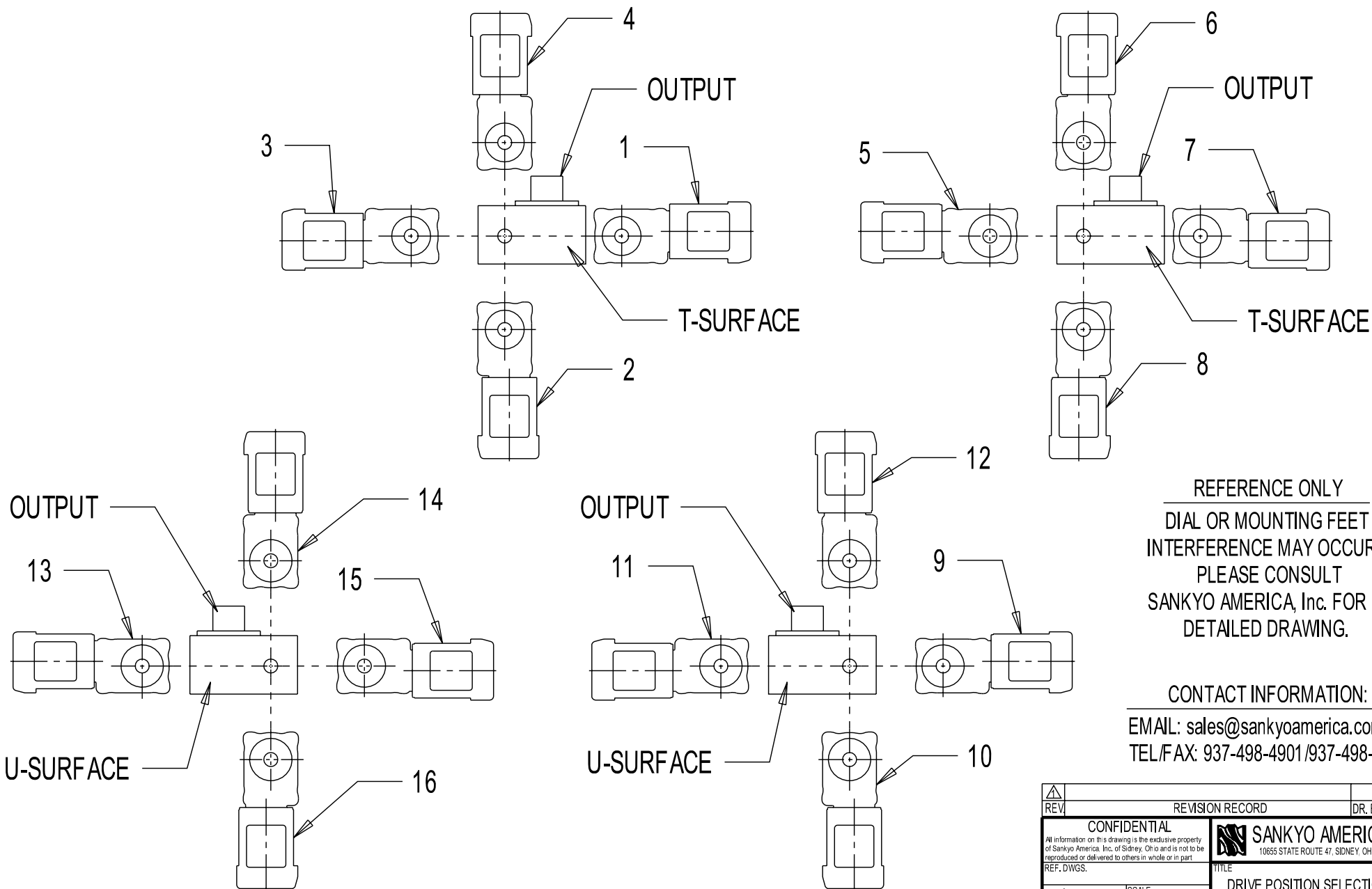


Conveyor Application

Geared Motor	Yes • No	Inverter	Yes • No
Torque Limiter	Yes • No	Timing Cam - Photo Switch	Yes (1. 2 3) • No

MEMO

GEARMOTOR/REDUCER MOUNTING POSITIONS



REFERENCE ONLY
 DIAL OR MOUNTING FEET
 INTERFERENCE MAY OCCUR.
 PLEASE CONSULT
 SANKYO AMERICA, Inc. FOR A
 DETAILED DRAWING.

CONTACT INFORMATION:
 EMAIL: sales@sankyoamerica.com
 TEL/FAX: 937-498-4901/937-498-9403

REVISION RECORD		DR. BY	DATE
△	CONFIDENTIAL		
<small>All information on this drawing is the exclusive property of Sankyo America, Inc. of Sidney, Ohio and is not to be reproduced or delivered to others in whole or in part.</small>		SANKYO AMERICA, Inc. <small>10855 STATE ROUTE 47, SIDNEY, OHIO 45365 USA</small>	
REF. DWGS.	TITLE	DRIVE POSITION SELECTION	
SCALE 1 : 6	CUSTOMER		
DRAWN BY SLG	DATE 8/30/04	DWG. NO.	SHEET
CHECKED BY	DATE	SAI-10119-Z00	1 / 1